

# Honeywell

## C7355A Room IAQ Monitor

### COMMERCIAL GRADE IAQ PRODUCTS

#### MOUNTING INSTRUCTIONS

E	Keep these instructions together with the device or with the equipment documentation! Only qualified personnel may perform electrical connections for 230 VAC.	F	Cette instruction est à conserver avec le contrôleur ou avec la documentation de l'installation! Le raccordement électrique pour le 230 VAC ne peut être effectué que par le personnel autorisé.	P	Guarde estas instruções junto do regulador ou junto da documentação da instalação! A ligação eléctrica a 230 VAC só deve ser efectuada por pessoal especializado.
D	Diese Anleitung ist beim Gerät oder in der Anlagendokumentation aufzubewahren! Elektrisches Anschließen von 230 VAC ist nur durch autorisiertes Fachpersonal gestattet.	I	Queste istruzioni devono essere conservate insieme al lettore o con la documentazione e dell'impianto! I collegamenti a 230 VAC devono essere eseguiti da personale qualificato.	S	Denna instruktion skall förvaras tillsammans med regler eller anläggningsdokumentationen! Elektrisk anslutning med 230 VAC får endast utföras av behörig personal.
DK	Opbevar denne vejledning sammen med regler eller med anlæggsdokumentationen! Elektrisk tilslutning for 230 VAC bør kun foretages af autoriserede personer.	N	Denne veiledningen skal oppbevares sammen med regler eller anleggsdokumentasjonen! Elektrisk tilkopling med 230 VAC må kun utføres av fagfolk.	FI	Tätä ohjetta tulee säilyttää laitteen läheisyydessä tai yhdessä muiden dokumenttien kanssa! Vain asianmukaiset oikeudet omaava henkilö saa suorittaa 230 VAC käyttäjännitteen liitännätöitä.
ES	Conserve estas instrucciones con el recalar o con la documentación de la instalación. La conexión eléctrica a 230 VCA debe hacerse solamente por personal cualificado	NL	Deze handleiding moet bij de regelaar, of met de documentatie van de installatie worden bewaard! De elektrische aansluiting voor 230 VAC mag alleen door geautoriseerd personeel worden uitgevoerd.	PL	Instrukcję obsługi należy przechowywać przy urządzeniu albo w dokumentacji technicznej. Tylko autoryzowany serwis jest upoważniony do podłączenia do 230 VAT.
SC	请将此装配说明书与设备或者与设备其他文档保存在一起！ 230 V 交流电的接线 操作仅允许由合格的专业人员执行	TC	請將此裝配說明書與設備或者與設備的其他文件儲存在一起！ 僅能由合格的專業人員進行 230 V 交流電的接線作業。	K	본 설치 설명서를 해당 장치 또는 관련 문서 와 함께 보관하시기 바랍니다 . 230VAC 전원 연결은 관련 작업 전문가 에 의 해 수행되어야 합니다 .



31-00436-01

## SUPPORTED DOCUMENTS

- IAQ Monitor Specification Data
- IAQ Monitor User Guide
- IAQ Monitor Quick Start Guide

## INTRODUCTION

The monitor is designed to be wall-mounted or ceiling mounted indoors. Mount in a clean, dry location away from windows, air ducts, and other places where environmental factors may affect readings. If you mount the unit on the interior of an outside wall, thoroughly insulate so outside air behind the sensor does not affect the sensor reading.

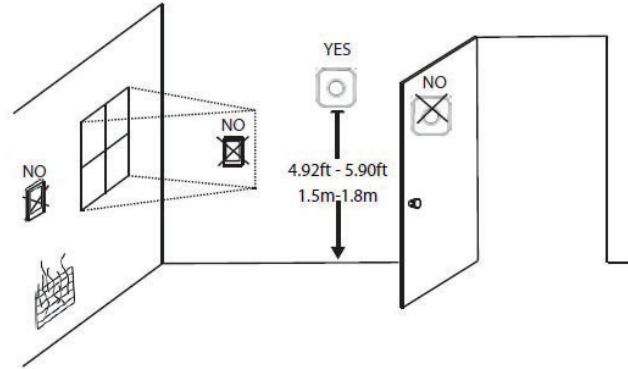


Fig. 1. Selecting sensor location

## When installing this product

1. Read these instructions carefully. Failure to follow them could damage the product or cause a hazardous condition.
2. Check the ratings given in the instructions and marked on the product to make sure the product is suitable for your application.
3. Installer must be a trained, experienced service technician.
4. After installation is complete, check the product operation.
5. Be sure wiring complies with all applicable codes, ordinances and regulations.

## ⚠ WARNING

### Electrical Shock Hazard

**Can cause severe injury or death.**

Disconnect the power supply before beginning installation to prevent electrical shock and equipment damage. More than one power supply may have to be disconnected.

## Location

Do not install the unit where it can be affected by:

- drafts or dead spots behind doors and in corners.
- hot or cold air from ducts.
- radiant heat from sun or appliances.
- concealed pipes and chimneys.
- unheated (uncooled) areas such as an outside wall behind the unit.

### IMPORTANT

*To avoid electrical interference, which can cause erratic performances, keep wiring runs as short as possible and do not run unit wires adjacent to the line voltage electrical distribution systems. Use shielded cable. The cable shield must be grounded only at the controlled equipment case.*

### WALL MOUNTING LOCATION

Install the Monitor about 1.5m-1.8m above the floor in an area with good air circulation at average temperature. (See below Fig).

### CEILING MOUNTING LOCATION

Install the Monitor on the ceiling, about 2.5m-3m above the floor in an area with good air circulation at average temperature.



### WEEE (Waste of Electrical and Electronic Equipment)

- At the end of the product life, dispose of the packaging and product in an appropriate recycling center.
- Do not dispose of the device with the usual domestic refuse.
- Do not burn the device.

This symbol on our product shows a crossed-out “wheelebin” as required by law regarding the Waste of Electrical and Electronic Equipment (WEEE) disposal. This indicates your responsibility to contribute in saving the environment by proper disposal of this Waste i.e. Do not dispose of this product with your other wastes. To know the right disposal mechanism please check the applicable law.

## Precautions

1. The monitor is used for indoor air quality monitoring and is suitable for ceiling installation and wall installation. This product should not be used outdoors.
2. The installation location should avoid kitchens, heating, air conditioning indoor units, direct sunlight, etc., which are affected by heat sources and other polluting gases. Keep away from high power or electrostatic precipitator equipment to avoid affecting product accuracy. The installation location should be convenient for regular maintenance.
3. This series of products is precision measuring equipment, and the measurement parameters include micro-particles and total volatile gases, and it should be ensured that there is no construction or decoration in the environment. When used in new construction, it should be installed after the renovation project is completed and cleaned.
4. If the room where the monitor has been installed needs to be renovated, the monitor should be removed before the conditions permit, and then installed after the renovation is completed. For situ-

ations where disassembly is difficult, be sure to completely wrap the monitor to prevent paint and dust from entering the monitor.

5. This product should avoid being dropped or hit, which may cause the light beam deviation in the sensor chamber, resulting in deviation of CO2 measurement; it should avoid the long-term exposure of the product to the high concentration of total organic volatile gas, which may cause the sensor poisoning to be unrecoverable. For example, the concentration is greater than several times the TVOC range in the monitor.
6. When the temperature of the monitor environment changes greatly, for example, if the product has just been received during the cold weather, it should be placed indoors for 8 hours before being powered on. Or move from the air conditioned room to the non-air-conditioned area, etc., and also need to be placed for at least 2 hours before powering up. Avoid excessive temperature difference and cause condensation or equipment damage.
7. DO NOT PAINT monitor or expose to heavy dirt or dust.
8. Do not use cigarettes to test PM2.5 measurements. The particles of cigarettes are mostly between 0.1 and 0.3 microns, and the concentration cannot be controlled. As a result, the PM2.5 measurement deviation is too large.
9. When multiple monitors use RS-485 wired networking, when sharing a power supply, make sure that the power supply wiring uses the same name of the power polarity, and the wrong connection may cause damage to the equipment.

10. Re-use after first use or extended time, it should be continuously energized for more than 48 hours to ensure stable output of all measured values.
11. The built-in CO2 sensor of this monitor has a self-calibration function. The readings may show deviations after power on or after a period of power off. The readings will return to normal after 2-7 days of continuous power. The sensor will automatically re-calibrate during long term use.
12. Please note that the automatic detection time of the device firmware is one minute after the monitor is powered on. At this time, the indicator of the monitor does not light, and the communication fails to connect. Please be patient and wait for the automatic detection of the monitor to complete. When the indicator light turns on, it can be used normally!

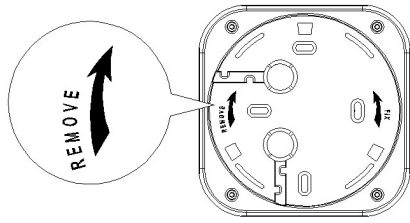
## GENERAL DATA

**Table 1. General Data**

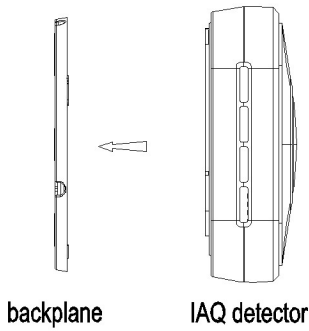
Part Number	C7355A1050
Detection Parameters	PM2.5/PM10, CO2, TVOC, Temperature & RH
Operating Environment	Temperature: 0 to 50 °C (32 to 122 °F) Humidity: 0 to 90% RH
Storage Conditions	(14 to 122 °F) -10 to 50 °C / 0 to 90% RH (No condensation)
Overall Dimension	130mm(L) × 130mm(W) × 45mm(H) 7.70 in (L) × 6.10 in (W) × 2.40 in (H)
Net weight	1.10 lb 300g
Certification Standard	CE/FCC

# INSTALLATION

1. To separate the backplane from the detector, rotate the backplane clockwise according to the direction of the arrow (See Fig. 2 and 3).

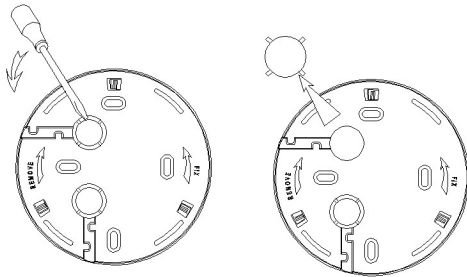


**Fig. 2.**



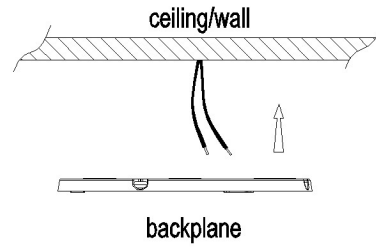
**Fig. 3.**

2. Use a screwdriver to punch out the appropriate opening. See Fig. 4.

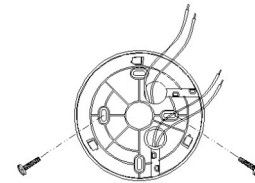


**Fig. 4.**

3. Pull wires through the opened hole. See Fig. 5 and 6.

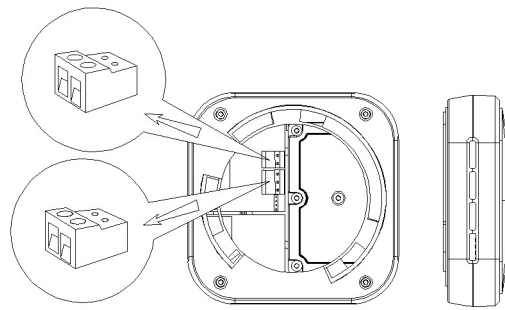


**Fig. 5.**



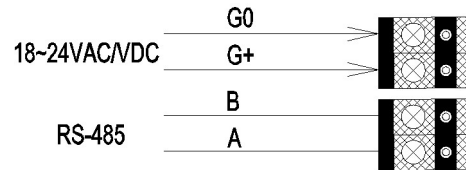
**Fig. 6.**

4. Unplug the terminal block from the contact pin. See Fig. 7.



**Fig. 7.**

5. Connect the cable to the terminal block, then secure with the mounting screw. See Fig. 8, 9, and 10.



**Fig. 8.**

6. Plug the terminal blocks back onto the contact pins.
7. Aim the dot located in the middle of two arrows on the side of the detector with the vertical lines on the backboard. See Fig. 11. Then rotate detector following the "FIX" direction shown in Fig. 12. RS-485 wiring is completed.

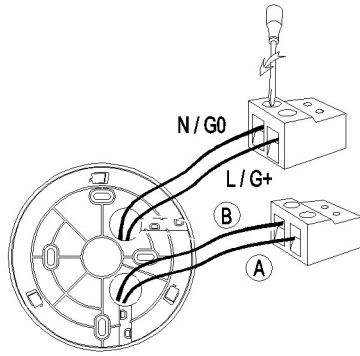


Fig. 9.

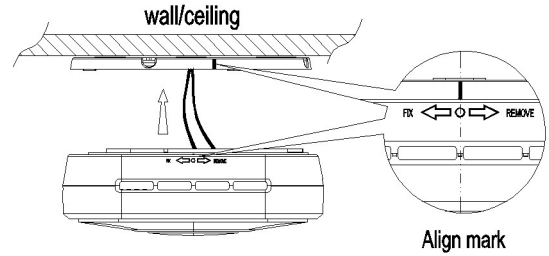


Fig. 11.

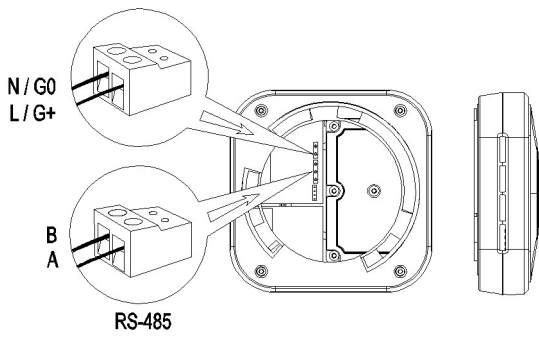


Fig. 10.

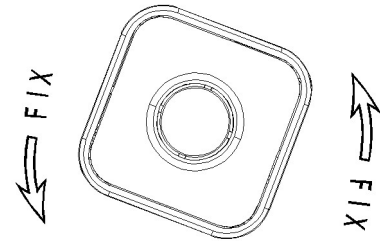


Fig. 12.

